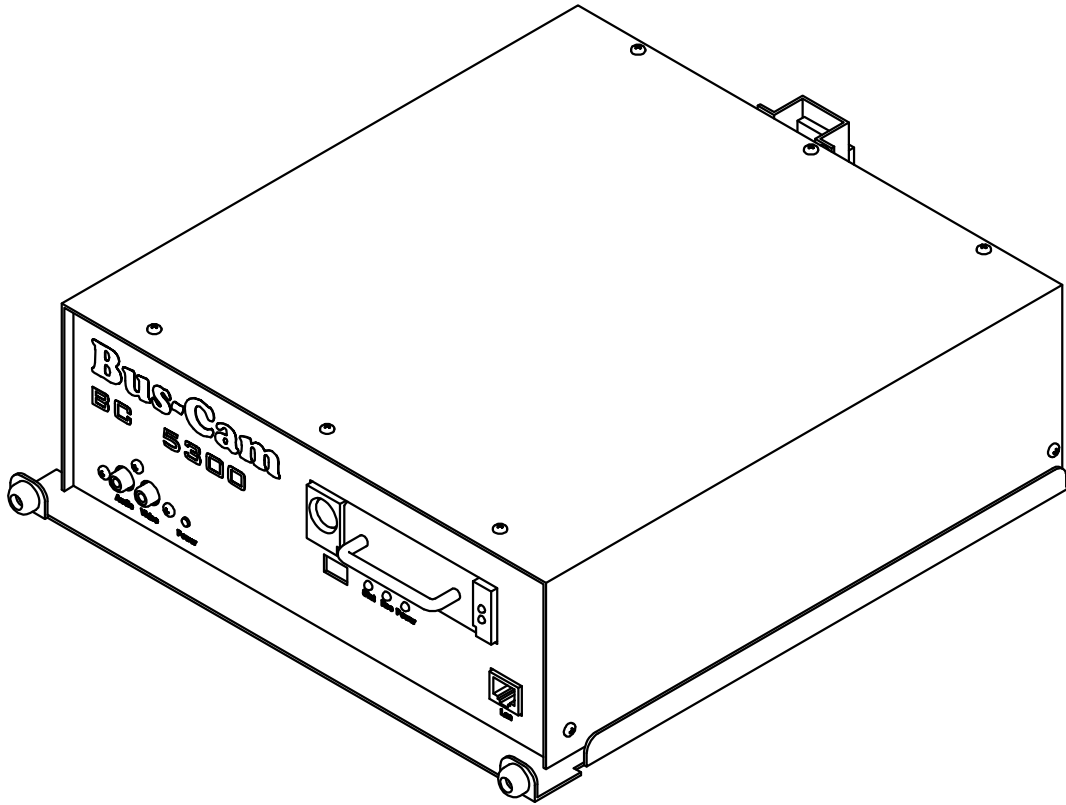


# Bus-Cam

## BC 7300



## Installation Guide

## Operation Guide



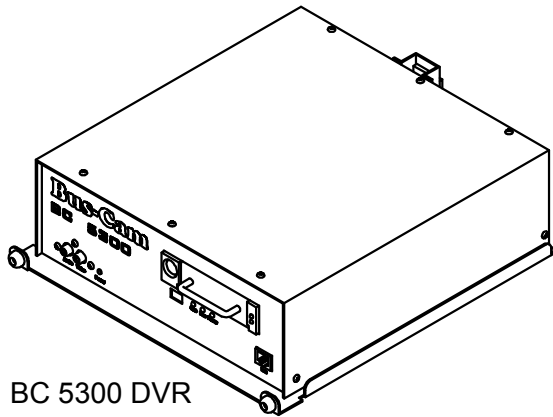
**ROBOTICS**  
**TECHNOLOGIES, INC**

Joliet, IL Made in U.S.A

[www.roboticstech.com](http://www.roboticstech.com)

1284-IN-1 Rev 01  
Rev Date 10/16/2009

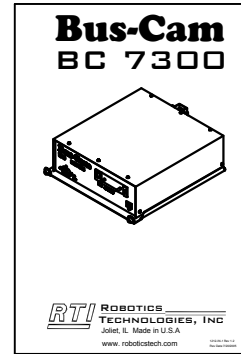
# Supplied Components



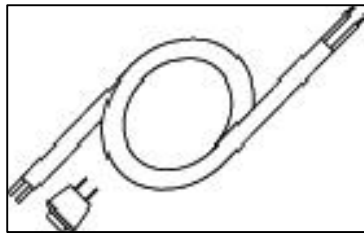
BC 5300 DVR



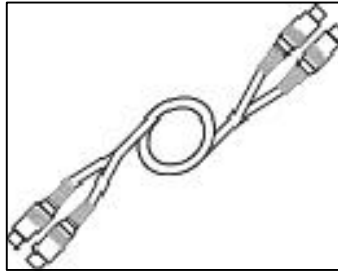
Remote Control With Battery



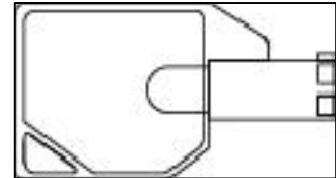
BC 7300 Manual



Bookmark Switch Kit



A / V Cables



Hard Drive Key

If any of the items are missing, please contact **RTI** at **800-995-6056**

**Note:** The Removable Hard Drive is shipped installed and locked into the **BC 7300 DVR**

## Return Policy

For Warranty Service, call Robotics Technologies, Inc. Customer Service to obtain an RMA (Return Materials Authorization), and then return the product postage prepaid to Robotics Technologies, Inc. The RMA number should be written clearly on the outside of the box. Please enclose a brief explanation of the problem, so that we can more efficiently diagnose your item and ensure timely service.

## Contact Information

For support, please contact Robotics Technologies, Inc. or a Robotics Technologies Authorized Dealer.

Robotics Technologies, Inc.  
20655 Burl Court  
Joliet, IL 60433  
Phone (800) 995-6056  
Fax (815) 722-7655  
Web sight: [www.roboticstech.com](http://www.roboticstech.com)

# Specifications

Dimensions:	Length 12" Width 11" Height 4"
Enclosure Material:	18 Gauge CRS
Electrical System:	12v Negative Ground
Weight	8 Lbs
Video In:	NTSC
System Compatability:	BC 3000 Enclosures
Video Out:	NTSC
Video Encoding	JPEG 2000

## Important Note:

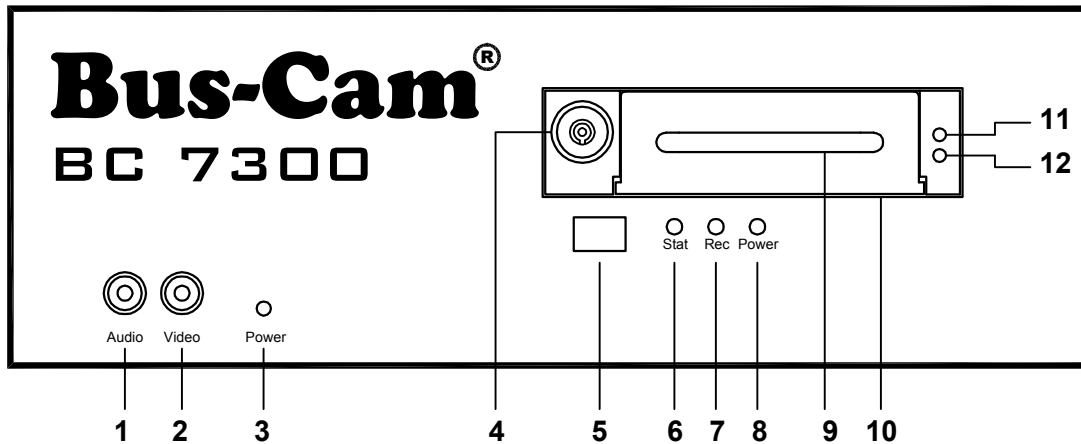
**Although the BC 7300 DVR has excellent power-conditioning and noise suppression circuitry, all electronic equipment is susceptible to extreme interferences that can be present in vehicle electrical systems. Accessories that include motors, transformers and solenoids can introduce voltage spikes reaching thousands of volts, and the user should ensure that all critical devices (including the BC 7300 DVR) are protected with sufficient power conditioning as required.**

Complete instructions for docking station and viewing are detailed in the **RTI Digital Video Software Manual**. **RTI Digital Video Systems** create very high quality, advanced technology JPEG 2000 Video. Ensure that your viewing computer meets the following minimum standards:

## Minimum System Requirements:

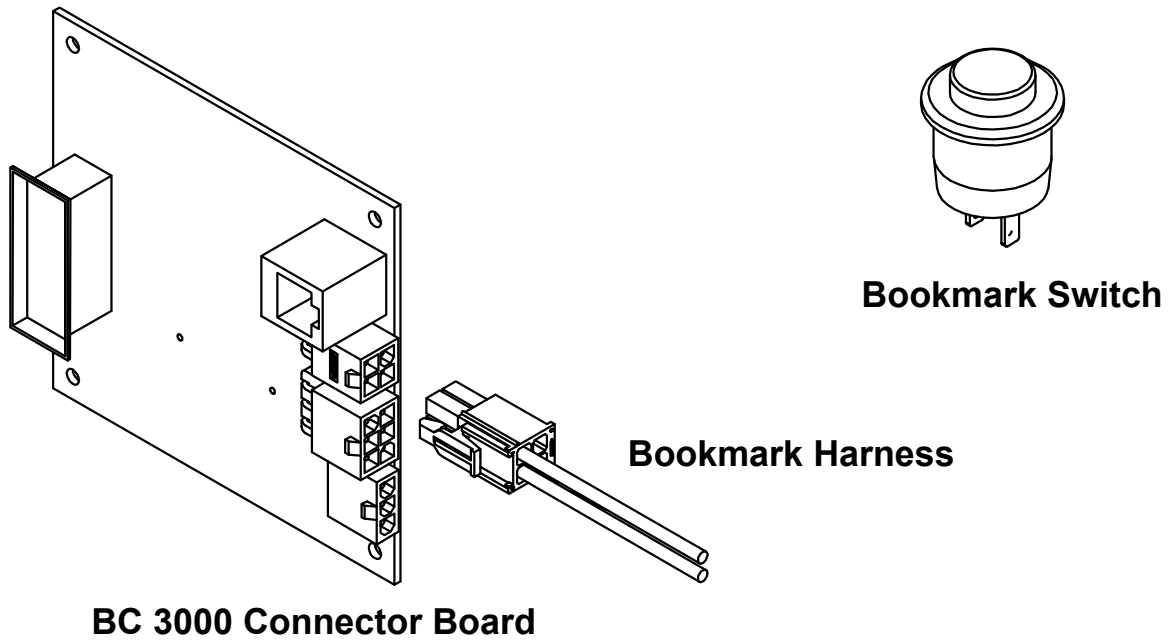
<b>CPU:</b>	Intel Pentium 4 (or compatible) running at 1 GHZ or higher
<b>Video:</b>	Card ATI Radeon 7500, Intel i865, Matrox Parhelia, NVIDIA GeForce2, or SIS Xabre
<b>Operating System:</b>	WinXP Professional. Direct X 8 or higher (latest version recommended) DivX Decoder 8.0 or higher (Free download from <a href="http://www.divx.com">www.divx.com</a> ) Screen resolution 1024 x 768
<b>Memory:</b>	256MB or higher
<b>Free Disk Space:</b>	2 to 4 GB to store clips

# BC 7300 Features



1. **Audio-Out RCA (Phono) Jack** provides audio signal to monitor or TV. Primarily for setup/programming, and not used during normal operation.
2. **Video-Out RCA (Phono) Jack** provides video signal to monitor or TV. Primarily for setup/programming, and not used during normal operation.
3. **Manual ON Switch** Used to power the **BC 7300** manually, primarily for setup/programming.
4. **Hard Drive Lock** Used to keep the Hard Drive Secure also controls power to the Hard Drive.
5. **Remote Control Window** Aim the Remote Control towards this window.
6. **Status Light** Limited when a video signal to monitor or TV. Primarily for setup/programming, and not used during normal operation.
7. **Record Light** Illuminated when DVR is Recording.
8. **Power Light** Illuminated when DVR is powered.
9. **Removable Hard Drive** Stores the Recorded Video and Audio may be removed for reading by a computer or for archive purposes.
10. **Hard Drive Bay** Receptacle for Removable Hard Drive
11. **Hard Drive Power Light** Illuminated when the Hard Drive is powered
12. **Hard Drive Activity Light** Illuminated when the Hard Drive storing or retrieving data

# Bookmark Switch Installation

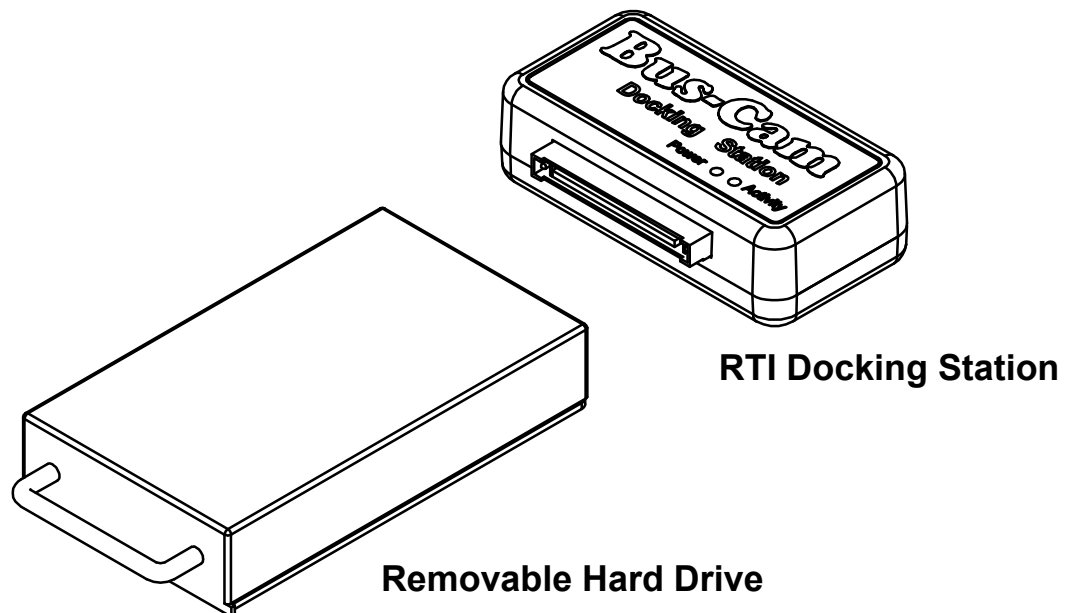


1. Drill a 11/16" mounting hole for the bookmark switch at the desired location.
2. Run the Bookmark Harness to the BC 3000 Enclosure
3. Plug the Bookmark Harness into the BC 3000 Connector Board located inside the BC 3000 Enclosure

## To view your video on a computer

The RTI Docking Station is available.

The RTI Docking Station plugs into the USB Port of your computer. The Removable Hard Drive then plugs into the RTI Docking Station, and the video is viewed through RTI's Diskview Software



# Digital 7300 Initial Setup

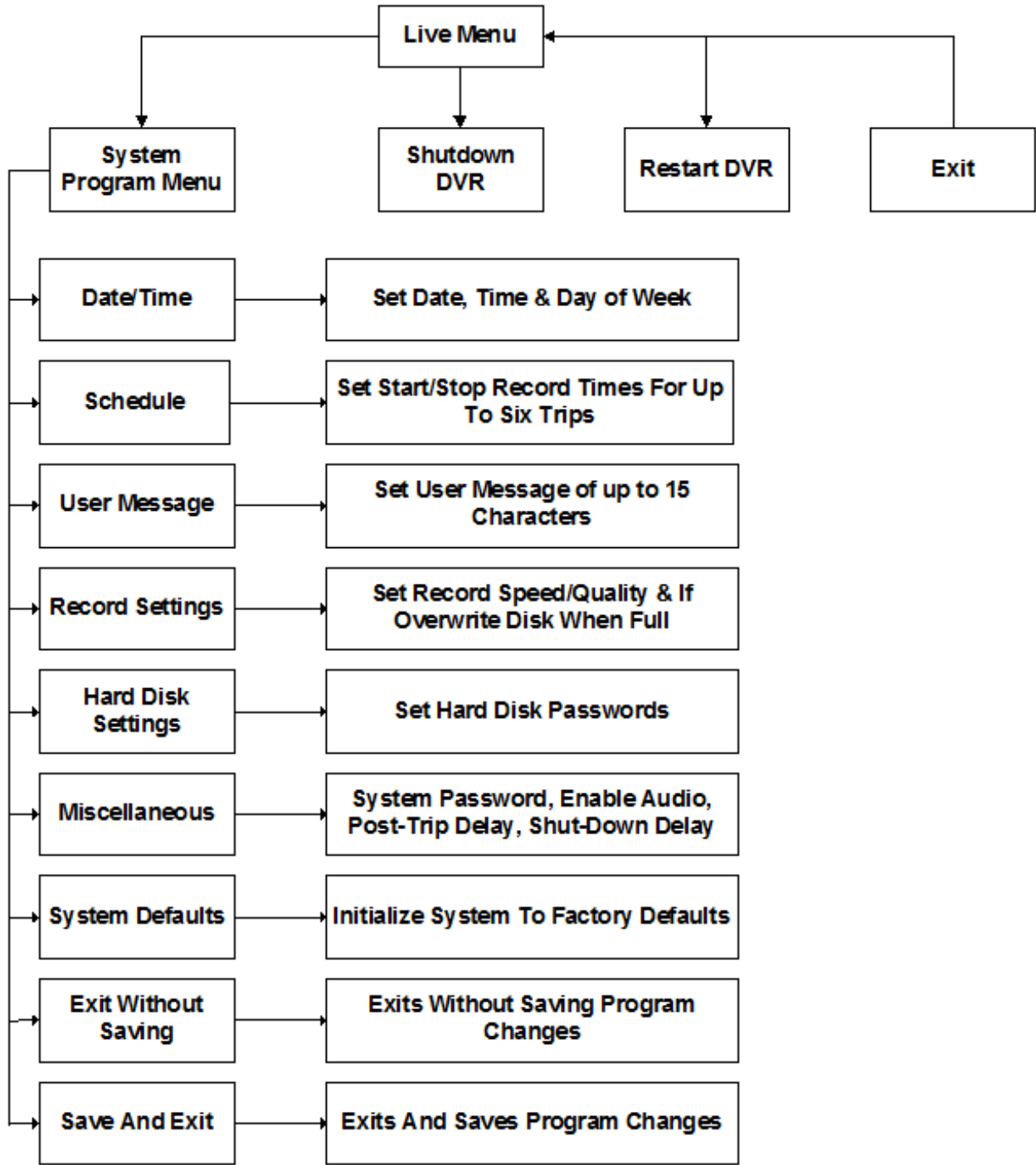
Once the mounting has been completed, the final step is to setup the operating parameters for the **BC 7300**. Before undertaking the following instructions, it is assumed that the **BC 3000 Enclosure** has been installed according to its provided instructions.

## **IMPORTANT!**

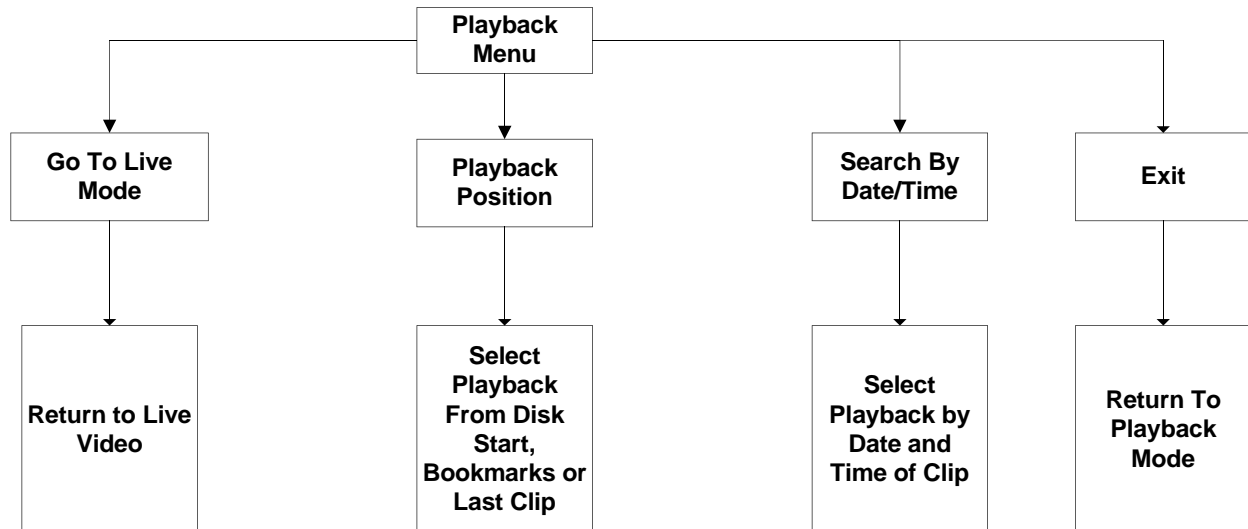
**Before starting this setup, make sure that you have properly installed the removable hard drive and locked it into the BC 7300. The BC 7300 will not operate properly unless this has been done. The "locked" state is indicated by a lighted red LED on the front of the Hard Drive .**

1. Connect a suitable video monitor or TV with A/V jacks to the **BC 7300** Audio and Video jacks located on the front panel of the unit. (See earlier instructions). Make sure that the Video Out of the DVR is connected to the Video In of the monitor/TV, and that the Audio Out of the DVR is connected to the Audio In of the monitor/TV.
2. Press the **Manual Power** to power the unit.
3. After a few moments, the monitor/TV should display a live picture of the video camera view, as well as start-up diagnostic messages.
4. When the **BC 7300** has finished its start-up sequence, make sure that it is not in **RECORD** mode (indicated by the display of **AR** or **MR** in the lower-right corner of the screen) before attempting to program the unit. If the unit is in **RECORD** mode, then aim the provided remote control at the front panel of the unit and press **STOP**.
5. Press **MENU** to enter the programming mode. The first task is to initialize the **BC 7300** to factory defaults. This ensures that you are starting with a "clean slate". To do so, select **System Program Menu**, then select **System Defaults**. When confirmation is requested, press "**Yes**".
6. Once the system has been initialized, then you can navigate through the menus to configure the **BC 7300** to your requirements. See the following pages for a comprehensive listing of the menu structures.

## Digital 7300 Live Menu Structure



# Digital 7300 Playback Menu Structure



## Notes On Menus

1. Using **ESC** to leave any menu will not save any changes you made to that menu. You must select Back and press **ENTR** to leave any menu that you made changes to. Also note that when all your programming is done you **MUST** select 10. Save and Exit in order for those changes to be saved.
2. Note that all values shown (except Date and Time) are the system default settings.
3. Use ▲ and ▼ on remote to select menu items and to change value of items.
4. Use **ENTR** button on remote to choose menu item and to advance to next variable when programming.

## Digital 7300 Quick Tips

**Q: How do I set the Date and Time?**

**A:**

1. Press **Menu** on the remote control.
2. Select **System Program Menu**.
3. Select **Date/Time**.
4. Use the **UP** and **DOWN** keys to change the Date and Time values.
5. Select **SET TIME** and press **ENTR**.
6. Press **ESC** to exit.

**Q: Can I disable the recording of sound?**

**A:** Yes. Pressing the **MUTE** button on the remote control will disable sound recording. This is a toggle (alternating) function, so pressing **MUTE** again will restore the recording of sound. This setting is stored in memory and controls system sound recording until changed.

**Q: What is a Bookmark, and how do I use it?**

**A:** A Bookmark allows a driver to place an electronic marker on the recording so that a incident can be easily navigated to and reviewed at a later time. This saves valuable time when you are managing and organizing the recorded clips. The Bookmark switch can be conveniently located near the driver. Bookmarked incidents may be easily found and reviewed as follows:

1. Press **PLAY** on the remote control to enter Playback Mode.
2. Press **MENU** to enter the Playback Menu.
3. Choose **Play From Next** or **Prev Bookmark** to review the clip.
4. Press **ESC** to exit when you are finished.

These stored bookmarks may also be used in the provided RTI software for review on your computer. See the software manuals for complete instructions.

# Digital 7300 Quick Tips

## (Continued)

**Q: What is a Post-Trip Delay, and how do I use it?**

**A:** This feature allows the continuation of recording for a set period of time after the ignition has been turned off. This is valuable for the continued recording of activity during passenger disembarkation. The duration of this delay can be set as follows:

1. Press **MENU** on the remote control.
2. Select **System Program** Menu.
3. Select **Miscellaneous**.
4. Select **Shutdown Settings**.
5. Select the **Post Trip Delay** setting.
6. Use the **UP** and **DOWN** remote keys to set the duration in minutes.
7. Press **ESC** to return to the **Miscellaneous** Menu.
8. Press **ESC** to return to the **System Program** Menu.
9. Select **Save and Exit**.

**Q: How Do I Schedule a Trip?**

**A:** Up to six programmed start and stop recording times (Trips) may be scheduled.

1. Press **MENU** on the remote control.
2. Select **System Program** Menu.
3. Select **Schedule** Menu.
4. Select the desired **Start** and **Stop** times and set their values with the **UP** and **DOWN** keys. Repeat this step for up to six trips.
5. To disable any trip, set its **Start** and **Stop** times to equal time values, or to zero.
6. Select **Schedule ON** to activate the scheduling function. **All trips may be enabled or disabled globally without disturbing the trip settings by using this setting.**
7. Select **BACK** to return to the **System Program** menu.
8. Select **Save and Exit**.

# Digital 7300 Quick Tips

## (Continued)

**Q: How Can I View My Recorded Clips?**

**A: There are two ways to view your recorded clips:**

1. With a video monitor/TV connected to the A/V (Phono) Jacks located on the rear panel of the **Digital 7300**. This is the least practical method for normal operational use.
2. By unlocking and removing the hard drive, then plugging into the **RTI** docking station. The docking station connects to the USB 2.0 port of a computer, and uses the **RTI** program "**RTI IMAGE VIEW**" to view and save clips.

Complete instructions for the docking station are detailed in the **RTI Digital Video Software Manual**. **RTI Digital Video Systems** create very high quality, advanced technology JPEG 2000. Ensure that your viewing computer meets the following minimum standards:

### Minimum System Requirements

CPU	Intel Pentium 4 or equivalent @ 1 GHZ Minimum
Video Card	ATI Radeon 7500 / NVIDEA GeForce2 / Intel i865 / SIS Sabre, etc.
Operating System	Windows XP Professional
DirectX	8
Screen Resolution	1024 x 768
Installed Video Codec	DivX Decoder 8.0 or higher (Free download from <a href="http://www.divx.com">www.divx.com</a> )
Free HDD Space	2 to 4 GB for video clip storage
Memory (DRAM)	256 MB

# **Warranty**

**Robotics Technologies, Inc. (RTI)** warrants this product to be free from defects in materials and workmanship for a period of one (1) year from the date of purchase. Its obligation under this warranty is limited to repairing or replacing at its own sole option any such defective products. To obtain service under this warranty, you must obtain a Return Material Authorization (RMA) number from RTI. Products must be returned to RTI with transportation charges prepaid and must be accompanied by a brief description of problem encountered and proof of date and place of purchase. This warranty does not apply to equipment that has been damaged by accident, negligence or misapplication, or has been altered or modified in any way. This warranty applies only to the original purchaser.

**Except as provided herein, RTI makes no warranties, express or implied, including warranties of merchantability and fitness for a particular purpose.** Some states do not permit limitation or exclusion of implied warranties; therefore, the aforesaid limitation(s) or exclusion(s) may not apply to the purchaser.

**Except as provided above, in no event will RTI be liable for direct, indirect, special, incidental, or consequential damages arising out of the use of this product even if advised of the possibility of such damage.** Specifically, RTI is not liable for any costs such as loss of profits or revenue, loss of equipment, costs of substitutes and claims by third parties or otherwise. This warranty gives you specific rights and you may also have other rights that vary from state to state.



**ROBOTICS** \_\_\_\_\_  
**TECHNOLOGIES, INC**  
Joliet, IL Made in U.S.A