

Clarity-H8 AHD 720p 8-Channel Mobile DVR

Order Number: 106142

Main Features

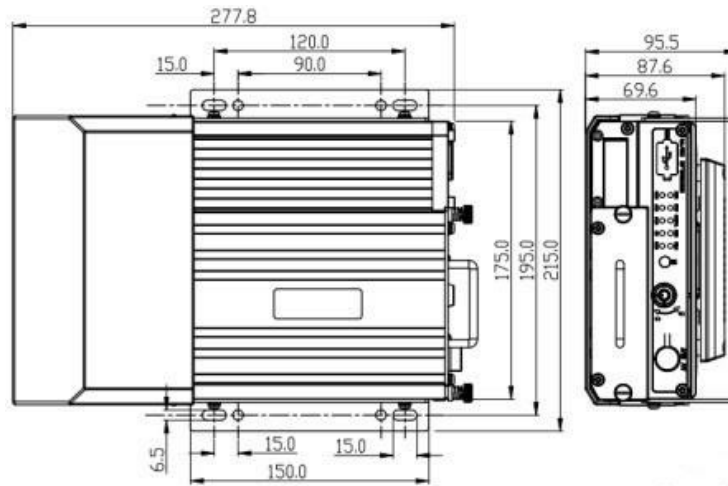
- Supports 8 channels WD1+4 channels IPC (720P) or 4 channels WD1+8 channels IPC (720P)
- Modular design for easy maintenance
- Revolutionary anti-vibration technology for 360 degree installation
- Supports 2.5" 2TB hard disk storage and SD card for mirror recording
- Dual streams for local recording and wireless transmission
- Internal GPS for location tracking
- Built-in 3G/4G for live view and remote management (optional)
- Internal WIFI 802.11N supported for all the regular video files and alarm files download(optional)
- Built-in inertia sensor
- Built-in heater(optional)



Specifications

Function Overview		Preview, Recording, Playback, Network, Locating
System	OS	Linux 3.0.8
	Control Mode	IR Remote Control, Network
Video	Input	8 channel WD1+4channel IPC(720P)/4channel WD1+8channel IPC (720P)
	Output	2 channels
	Total Resources	(8 x 30)fps WD1 @ NTSC +(4 x 30)fps 720P or (4 x 30)fps WD1 @ NTSC +(8 x 30)fps 720P
	Video Signal Standard	Electrical level: 1-Vpp Impedance: 75Ω NTSC Optional
Audio	Input	8 channels
	Output	2 channels
	Audio Signal Standard	Electrical level: 2Vpp Input impedance: 4.7kΩ
Display	Display Split	1/4/9 Image display
	OSD	GPS info, alarm, temperature, acceleration, voltage, device information, software version, MCU version, net stat

	Operation Interface	Semi-transparent GUI
Recording	Video/Audio Compression	H.264/ADPCM
	Image Resolution	Analog: NTSC: WD1(928X480), WHD1(928X240), WCIF(464X240), D1(704x480), HD1(704x240), CIF(352x240); Digital:720P(1280X720)
	Image Quality	8 Levels adjustable
	Recording Mode	
		Manual/schedule/Alarm (sensor trigger, speed, acceleration, video loss, temperature)
	Pre-recording	0-60 minutes
	Post-recording	0-30 minutes
	Mirror Recording	Yes
	Playback	Playback Channel
Search Mode		Date/time, channel, event
Network	3G/4G	EVD0/WCDMA/TDD-LTE/FDD-LTE
Locating	GPS	Location tracking, speed detection and time sync
Storage	Hard disk	Supports 2.5" hard drive up to 2TB
Interface	USB	USB2.0 x 2
	SD	SD x 1
	RS232	RS232 X 2
	RS485	RS485 X 2
	Sensor	8 inputs, 2 outputs
	Serial	G-sensor (Internal)
	Speed	1 channel pulse speed detection
	Interface	Interface (CP4) Optional
Power	Input	DC8-36V
	Output	1A@12V,1A@5V
Others	Water Proof Rate	IP54
Mechanical	Dimensions (L x W x H)	10.9" x 8.5" x 3.76"
Environ	Operating Temperature	-40°F to +158°F (With heater) or 15°F to +158°F
	Operating Relative Humidity	8%~90%



Model for selection

Clarity H8: Supports 8 channels WD1+4 channels IPC (720P) or 4 channels WD1+8 channels IPC (720P). Supports 2.5" 2TB hard disk storage. Supports 1 SD card for mirror recording. 8 alarm inputs, 2 alarm outputs. RS232 X 2. RS485 X 2. built-in G-force sensor. Supports built-in 3G/LTE module(Optional). Built-in Wi-Fi module (optional). built-in GPS